



United States of America
Department of Transportation
Federal Aviation Administration

Supplemental Type Certificate

Number: SA00871SE

This certificate issued to: Rosen Sunvisor Systems, LLC
86365 College View Road
Eugene, OR 97405

Certifies that the change in the type design for the following product with the limitations and conditions
therefore as specified hereon meets the airworthiness requirements of * of Regulations

Original Product *
Type Certificate Number:

Make: *

Model: *See attached FAA Approved Model List (AML) No. SA00871SE for
a list of approved aircraft models and applicable airworthiness
regulations.

Description of Type Design Change:

Installation of cockpit sunvisors in accordance with Rosen Products LLC drawing lists per the
attached FAA AML No. SA00871SE reissued February 8, 2023, or later FAA approved revision.

Limitations and Conditions:

The approval of this change in type design applies to the aircraft models listed on FAA AML No. SA00871SE. This approval should not be
extended to other aircraft of this model on which other previously approved modifications are incorporated unless it is determined that the
interrelationships between this change and any other previously approved modifications will introduce no adverse effect upon the airworthiness
of that aircraft. A copy of this certificate and FAA AML No. SA00871SE shall be maintained as part of the permanent records of the modified
aircraft.

If the holder agrees to permit another person to use this certificate to alter the product, the holder shall give the other person written evidence
of that permission.

This certificate and the supporting data which is the basis for approval shall remain in effect until surrendered,
suspended, revoked, or a termination date is otherwise established by the Administrator of the Federal
Aviation Administration.

Date of Application: May 9, 2000 Date Reissued: March 24, 2003; July 5, 2022; March 12, 2024

Date of Issuance: January 25, 2001 Date Amended: April 4, 2005

By Direction of the Administrator

Signature: HAIFA J HAJ-
EID

Digitally signed by HAIFA J HAJ-
EID
Date: 2024.03.12 12:02:43
-07'00'

For Acting Manager, Seattle ACO

Title: Branch

Any alteration of this certificate is punishable by a fine of not exceeding \$1,000, or imprisonment not exceeding 3 years, or both. This certificate may be transferred or made
available to third persons by licensing agreements in accordance with 14 CFR 21.47. Possession of this Supplemental Type Certificate (STC) document by persons other than
the STC holder does not constitute rights to the design data nor to alter an aircraft, aircraft engine, or propeller. The STC's supporting documentation (drawings, instructions,
specifications, flight manual supplements, etc.) is the property of the STC holder. An STC holder who allows a person to use the STC to alter an aircraft, aircraft engine, or
propeller must provide that person with written permission acceptable to the FAA. (Ref. 14 CFR 21.120).

**FAA APPROVED MODEL LIST (AML) SA00871SE
FOR
INSTALLATION OF ROSEN SUNVISOR SYSTEMS COCKPIT SUN VISOR**

ISSUE DATE: January 25, 2001

ITEM	AIRPLANE MAKE	AIRPLANE MODEL	TYPE CERTIFICATE NUMBER	CERTIFICATION BASIS FOR ALTERATION	FAA APPROVED DRAWING LIST		AML AMENDED
					NUMBER	REVISION NO. AND DATE	DATE
1.	Textron (formerly Cessna)	150, 150A, 150B, 150C, 150D, 150E, 150F, 150G, 150H, 150J, 150K, A150K, 150L, A150L, 150M, A150M, 152, A152	3A19	CAR 3	9050-0118-013	Revision T, 2/15/22	6/8/22
2.	Textron (formerly Cessna)	170, 170A, 170B	A-799	CAR 3	9050-0118-013	Revision T, 2/15/22	6/8/22
3.	Textron (formerly Cessna)	172, 172A, 172B, 172C, 172D, 172E, 172F (USAF T-41A), 172G, 172H (USAF T-41A), 172I, 172K, 172L, 172M, 172N, 172P, 172Q, 172R	3A12	CAR 3	9050-0118-013	Revision T, 2/15/22	6/8/22
4.	Textron (formerly Cessna)	172S	3A12	FAR 23	9050-0118-013	Revision T, 2/15/22	6/8/22
5.	Textron (formerly Cessna)	172RG, P172D, R172E (USAF T-41B), (USAF T-41C and D), R172F (USAF T-41D), R172G (USAF T-41C or D), R172H (USAF T-41D), R172J, R172K, 175, 175A, 175B, 175C	3A17	CAR 3	9050-0118-013	Revision T, 2/15/22	6/8/22
6.	Textron (formerly Cessna)	180, 180A, 180B, 180C, 180D, 180E, 180F, 180G, 180H, 180J, 180K	5A6	CAR 3	9050-0118-013	Revision T, 2/15/22	6/8/22
7.	Textron (formerly Cessna)	182, 182A, 182B, 182C, 182D, 182E, 182F, 182G, 182H, 182J, 182K, 182L, 182M, 182N, 182P, 182Q, 182R, 182T, R182, T182, TR182, T182T	3A13	CAR 3	9050-0118-013	Revision T, 2/15/22	6/8/22
8.	Textron (formerly Cessna)	182S	3A13	FAR 23	9050-0118-013	Revision T, 2/15/22	6/8/22

**FAA APPROVED MODEL LIST (AML) SA00871SE
FOR
INSTALLATION OF ROSEN SUNVISOR SYSTEMS COCKPIT SUN VISOR**

ISSUE DATE: January 25, 2001

ITEM	AIRPLANE MAKE	AIRPLANE MODEL	TYPE CERTIFICATE NUMBER	CERTIFICATION BASIS FOR ALTERATION	FAA APPROVED DRAWING LIST		AML AMENDED
					NUMBER	REVISION NO. AND DATE	DATE
9.	Textron (formerly Cessna)	185, 185A, 185B, 185C, 185D, 185E, A185E, A185F	3A24	CAR 3	9050-0118-013	Revision T, 2/15/22	6/8/22
10.	Textron (formerly Cessna)	206, P206, P206A, P206B, P206C, P206D, P206E, TP206A, TP206B, TP206C, TP206D, TP206E, U206, U206A, U206B, U206C, U206D, U206E, U206F, U206G, TU206A, TU206B, TU206C, TU206D, TU206E, TU206F, TU206G, 206H, T206H	A4CE	CAR 3	9050-0118-013	Revision T, 2/15/22	6/8/22
11.	Textron (formerly Cessna)	207, 207A, T207, T207A	A16CE	FAR 23	9050-0118-013	Revision T, 2/15/22	6/8/22
12.	Textron (formerly Cessna)	210, 210A, 210B, 210C, 210D, 210E, 210F, 210-5 (205), 210-5A (205A), T210F, 210G, 210H, T210H, T210G, 210J, T210J, T210L, 210K, 210L, T210K, 210M, T210M, 210N, P210N, T210N, 210R, P210R, T210R	3A21	CAR 3	9050-0118-013	Revision T, 2/15/22	6/8/22
13.	Textron (formerly Cessna)	120, 140, 140A	A-768	CAR 4a	9050-0118-013	Revision T, 2/15/22	6/8/22
14.	Textron (formerly Reims)	F150F, F150G, F150H, F150J, F150K, F150L, F150M, F152, FA150K, FA150L, FA150M, FA152, FRA150L, FRA150M	A13EU	CAR 3	9050-0118-013	Revision T, 2/15/22	6/8/22
15.	Textron (formerly Reims)	F172D, F172E, F172F, F172G, F172H, F172K, F172L, F172M, F172N, F172P, FP172D	A4EU	CAR 3	9050-0118-013	Revision T, 2/15/22	6/8/22

**FAA APPROVED MODEL LIST (AML) SA00871SE
FOR
INSTALLATION OF ROSEN SUNVISOR SYSTEMS COCKPIT SUN VISOR**

ISSUE DATE: January 25, 2001

ITEM	AIRPLANE MAKE	AIRPLANE MODEL	TYPE CERTIFICATE NUMBER	CERTIFICATION BASIS FOR ALTERATION	FAA APPROVED DRAWING LIST		AML AMENDED
					NUMBER	REVISION NO. AND DATE	DATE
16.	Textron (formerly Reims)	F182P, F182Q, FR182	A42EU	CAR 3	9050-0118-013	Revision T, 2/15/22	6/8/22
17.	Textron (formerly Reims)	FR172E, FR172F, FR172G, FR172H, FR172J, FR172K	A18EU	CAR 3	9050-0118-013	Revision T, 2/15/22	6/8/22

FAA APPROVED: _____
For Acting Manager, Seattle Aircraft
Certification Office

REISSUED: March 24, 2003; July 5, 2022, February 8, 2023
AMENDED: June 8, 2022

SUPPLEMENTAL TYPE CERTIFICATE

10031251

This Certificate/Approval is issued by EASA, acting in accordance with Regulation (EU) 2018/1139 on behalf of the European Union, its Member States and of the European third countries that participate in the activities of EASA under Article 129 of that Regulation and in accordance with Commission Regulation (EU) No. 748/2012 to

ROSEN SUNVISOR SYSTEMS L.L.C.

86365 COLLEGE VIEW ROAD
EUGENE OR 97405
UNITED STATES OF AMERICA

and certifies that the change in the type design for the product listed below with the limitations and conditions specified meets the applicable Type Certification Basis and, if applicable, environmental protection requirements when operated within the conditions and limitations specified below:

Type Certificate Number: SEE FAA APPROVED MODEL LIST
(AML) SA00871SE,
DATED 8 FEBRUARY 2023.

Type Certificate Holder: See FAA AML

Type: See FAA AML

Model: See FAA AML

Original STC Number: FAA STC SA00871SE

Description of Design Change:

Installation of cockpit sunvisors

EASA Certification Basis:

The Certification Basis for the original product remains applicable to this certificate/approval. The requirements for environmental protection and the associated certified noise and/ or emissions levels of the original product are unchanged and remain applicable to this certificate/ approval.


Associated Technical Documentation:

Rosen Products LLC drawing lists per the attached FAA AML No. SA00187SE, reissued 1 July 2022,

See Continuation Sheet(s)

For the European Union Aviation Safety Agency

Cologne, Germany, 05 April 2023



Marco CAPACCIO
Section Manager

Small Aircraft, Balloons & Airships



or later revisions of the above listed document(s) approved/accepted on behalf of EASA in accordance with the Technical Implementation Procedures of EU/ USA Bilateral Agreement.

Limitations/Conditions:

Prior to installation of this change/repair it must be determined that the interrelationship between this change/repair and any other previously installed change and/ or repair will introduce no adverse effect upon the airworthiness of the product.

- End -



Cessna Singles
NSA Sunvisor System

Date	Rev	Approved
2/20/24	V	SYS

Drawing List
Doc. # 9050-0118-013
FAA STC SA00871SE

120-207 Side Mount	172-207 Center Mount	210	P210	Kit RCS-300		
-1	-2	-3	-4	Drawing Number	Description	Rev
1				1180001	Complete Assembly	E
	1			1180002	Complete Assembly	D
		1		1180003	Complete Assembly Cessna 210	M
			1	1180004	Complete System	G
2				1180101	Bracket, Mounting	G
	2			1180102	Bracket, Mounting, Cessna 172-207	M
		2		1180103	Bracket, Mounting	L
		2		1180104	Module Mounting Clamp	G
			2	1180105	Mounting Bracket	D
2	2	2	2	1180110	7° Swivel	K
2	2	2	2	1020001	Original Block	R
-	-	-	-	1010000-5	Complete Slide Assembly	G
2	2	2	2	1010001-5	Female Slide - Universal	M
2	2	2	2	1010002-3	Male Slide - Universal	U
2	2	2	2	1010003	Lens Strip	H
2	2	2	2	1180301-001	Lens (RCS-200-1)	F
				1180100-001	Replacement Kit for RCS-300-1	
					Mounting Assembly	D
				1180101	Bracket, Mounting	G
				1180110	7° Swivel	L
				R1180110	Swivel Kit	
1	1	1	1	1180110	7° Swivel	L
1	1	1	1		Lube Packet	

Rosen®

SUNVISOR SYSTEMS

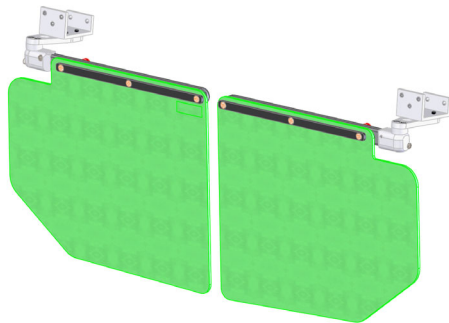
				R1010000-KIT-5	Universal Slide with Lens Strip Kit	A
				1010000-5	Complete Slide Assembly	G
				1010003	Lens Strip	H
				MS24693-C48BP	#8-32 X .375 Flat Head Phillips SS Black Patch Screw	
				R1180301-001	Lens Kit	F
1	1			9051-0118-012	Cessna Singles (Except 177 & 210) PMM/IPL/ICA	G
		1	1	9051-0118-017	Cessna 210 PMM/IPC/ICA	G

**Rosen Sunvisor Systems PMM / IPC for Sunvisor Assembly
(p/n R1180003, R1180004)**

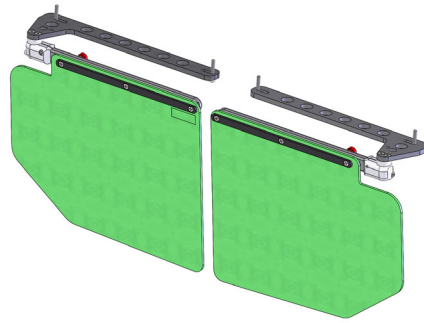


Cessna 210 NSA Sunvisor System

***Rosen Kit Number R1180003-0, RCS-300-3
R1180004-0, RCS-300-4***



R1180003-0



R1180004-0

**Product Maintenance Manual
with Illustrated Parts List
and Instructions for Continued Airworthiness**

**Manual Number
Rosen 9051-0118-017
Revision G**

August 16, 2023

Rosen Sunvisor Systems LLC
86365 College View Road
Eugene, Oregon 97405 USA

**Rosen Sunvisor Systems PMM / IPC for Sunvisor Assembly
(p/n R1180003, R1180004)**

This ICA must be followed when the R1180003-0 and R1180004-0 sunvisor system is installed in accordance with Supplemental Type Certificate, (STC) No. SA00871SE, dated January 25, 2001, amended April 8, 2005.

The information contained in this document supplements or supersedes the basic manual only in those areas listed herein. For limitations, procedures, and performance information not contained in this manual, consult the basic aircraft ICA or Maintenance Manual.

STATEMENT OF Rev D CERTIFICATION

This manual complies with Federal Aviation Association (FAA) Airworthiness Requirements Part 23.

FAA Acceptance: _____ Date: _____.

The above certification does not apply to revisions or amendments made after the date of initial certification by other Approved Organizations. Revisions or amendments made by other Approved Organizations must be separately certified and recorded on separate record sheets

**Rosen Sunvisor Systems PMM / IPC for Sunvisor Assembly
(p/n R1180003, R1180004)**

Record of Revisions

Rev	Description	Date	Approved
F	Changed to CMM/IPC format. Correct typos	8/13/14	GH
G	Correct hex keys	8/16/23	SYS

Table of Contents

Record of Revisions	3
Introduction	4
General	4
Revision Service	4
Fault Isolation	5
Product Description	6
Installation Instructions R1180003	6
Installation Instructions R1180004	9
Removal	9
Weight and Balance	9
Repair	10
Instructions for Continued Airworthiness	10
Airworthiness Limitations	10
System Images	11
Parts List R1180003	15
Parts List R1180004	16

**Rosen Sunvisor Systems PMM / IPC for Sunvisor Assembly
(p/n R1180003, R1180004)**

Introduction

1. General

- a. This Rosen Component Maintenance Manual provides use, maintenance and supplemental airworthiness instructions for the cockpit sunvisor systems used on the following Cessna aircraft models: 210, 210A, 210B, 210C, 210D, 210E, 210F, 210-5 (205), 210-5A (205A), T210F, 210G, 210H, T210H, T210G, 210J, T210J, T210L, 210K, 210L, T210K, 210M, T210M, 210N, P210N, T210N, 210R, P210R, T210R.
- b. Rosen reserves the right to revise this document for changed procedures, improved parts or changes to the system or components.
- c. All technical support, spare sales, repairs or modifications are to be directed directly to Rosen Sunvisor Systems LLC. RSS must be contacted for future revision of this document as it is possible this does not contain the latest revisions.

2. Revision Service

Current revision status and revisions to this document may be obtained from Rosen Sunvisor Systems' website: www.rosenvisor.com. We recommend that you periodically check to make sure you are using the most current version.

**Rosen Sunvisor Systems PMM / IPC for Sunvisor Assembly
(p/n R1180003, R1180004)**

Fault Isolation

1. General

- a. This section identifies Probable Causes and Corrections for possible faults.

Problem	Probable Cause	Corrective Action
Visor does not extend on arm	Tension Thumb knob too tight	Loosen knob and slide using knob
Lens does not rotate smoothly on vertical axis	Vertical pivot tension incorrectly set	Re-tension vertical pivot
Lens does not rotate smoothly on horizontal axis	Horizontal pivot tension incorrectly set	Re-tension horizontal pivot

**Rosen Sunvisor Systems PMM / IPC for Sunvisor Assembly
(p/n R1180003, R1180004)**

Product Description

General

- a. The Rosen Sunvisor System consists of two visor assemblies which have been designed to improve pilot comfort during standard cockpit operations. The visor assemblies are fastened to the airframe in the same mounting positions as the factory installed visors.

**Installation Instructions for Kit RCS-300-3, R1180003-0
Cessna 210 without Air Conditioning**

This is an FAA STC'd installation requiring a log book entry upon completion.

Installation should take approximately 1½ to 2 hours.

Please read these short instructions **COMPLETELY** before starting.

Tools required:

Phillips screwdriver
Electric drill, 3/8" bit
Razor blade
Hacksaw
File
5/64 Allen Key
9/64 Allen Key
1/8 Allen Key

Installation Hardware (included):

Qty:	(6) MS24671-14BP	#8-32X1/2 FSHC BLK/Patch
	(3) 832x14C9SSSS	#8-32X1/4 Cone Point BLK Set Screw
	(10)1428x14CPSSA	¼-28X1/4 CPS SS BLK
	(2) 1180104	Channel Clamp

- Remove old visors mounted to overhead console.
- Remove pilot side plastic trim piece covering vertical post. Remove stall warning horn from trim piece by unscrewing cover cap and sliding warning horn out.
- Remove horizontal center trim piece running from pilot side post to co-pilot side post.
- Expose spar near corner posts by gently pulling headliner material up off of fabric hooks riveted to forward section of spar.

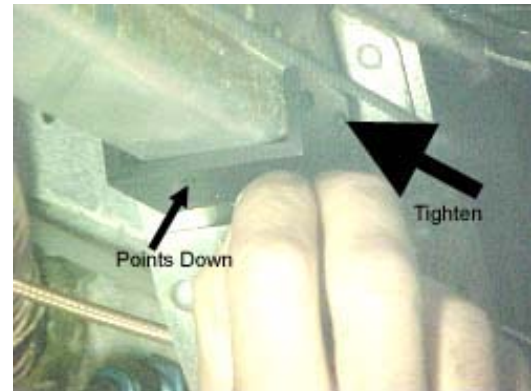


Rosen Sunvisor Systems PMM / IPC for Sunvisor Assembly (p/n R1180003, R1180004)

- While sitting in pilot seat and looking up at spar, locate gusset (or angle piece) running from top of post to spar.
- Pencil mark bottom of spar $\frac{3}{4}$ " inboard of gusset.
- Slip channel clamp (1180104) over spar, with left edge of clamp in alignment with pencil mark, and short flange facing forward.
- Uniformly tighten front and rear cone screws with $\frac{1}{8}$ " Allen wrench provided. (Ensure that channel clamp is pushed up as close to spar as possible.)



- Install three #8 set screws with sharp point down (these screws are used to mark horizontal trim piece in order that holes can be drilled in proper locations). Screws should be installed 'finger tight' only (see figure at right), as they will be removed and re-used when installing co-pilot side visor.)



- Carefully realign horizontal trim piece running across spar. When in *original* position, push firmly up against #8 pointed screws protruding from channel clamp. These marks can now be punched or drilled with $\frac{3}{8}$ " bit. Drill *through plastic trim only*, as drilling through fabric headliner will stretch or tear material.
- Remove #8 screws and save for use on co-pilot side.
- Stretch headliner fabric back over fabric hooks on spar. Puncture fabric at same location of three holes used to attach visor bracket to channel clamp.

- Using three #8-32 Hex Flat Head screws, attach visor marked "pilot side" through headliner material to channel clamp.



Rosen Sunvisor Systems PMM / IPC for Sunvisor Assembly (p/n R1180003, R1180004)

- Fit vertical trim piece back on post. Top left corner will slightly overlap visor bracket.
- Carefully mark location on trim piece that will be notched out to fit around bracket. (PLEASE NOTE: It is better to make *small* cuts and repeat procedure several times, as opposed to making a notch that is too big the first time!)



- Cut out notch and file cut edges of trim piece smooth.

- Install warning horn in trim piece and re-attach trim piece to post.
- Repeat procedure for co-pilot side.



- Properly installed visor systems should hang level across windshield and swing unobstructed to side window. (See figures below)



**Rosen Sunvisor Systems PMM / IPC for Sunvisor Assembly
(p/n R1180003, R1180004)**

**Installation Instructions for R1180004-0, Kit RCS-300-4
Cessna 210 with Air Conditioning and all P210 models**

This is an FAA STC'd installation requiring a log book entry upon completion. Installation should take approximately 15 to 30 minutes.

Please read these short instructions **COMPLETELY** before starting.

Tools required:

Phillips screwdriver
9/64 Allen Key

Installation Hardware (included):

Qty:	(4)	MS16995-30B	#8-32 x 1 Socket Head Cap Screw
	(2)	PS8C16CPG02NA	#8-32x1" Pan Head, Nylon Washered Screw
	(4)	AN960-C8L	#8 Washer
	(2)	A8K75	#8-32 Rivnut

- Remove both old visors using a Phillips screwdriver.
- Mount the visor assembly marked "Pilot's Side" on the pilot's side of the aircraft with the two #8-32 Socket Head Cap Screws and washers (supplied) and the 9/64" hex key (supplied). These mount into the original hard points in the aircraft. Slots are provided to allow for miss mounting of the original visors.
- Tighten the pilot's side visor securely.
- Repeat the procedure for the co-pilot's side.

Note: If at any point in the future you feel there is too much flex in the bracket when the visor is extended to the rear, an 8-32 rivnut and an 8-32x1" washered fastener are included to mount to the spar using the extra 3/16" hole in the black anodized bracket.

Removal

- a. Reverse installation procedure.

Weight and Balance

Because operators calculate Weight and Balance differently the actual station number must be determined by the installer's calculations.

With the visor located in the stow position (in forward position and folded up) the R1180003-0 system adds 2.1lbs., and the R1180004-0 system adds 2.4 lbs

**Rosen Sunvisor Systems PMM / IPC for Sunvisor Assembly
(p/n R1180003, R1180004)**

located at the mount point of the visor. When the original visors are removed they must be weighed and removed from the calculation.

Repair

General

- a. All components that do not meet the requirements for continued use must be replaced.

Instructions for Continued Airworthiness

- **(On the ground only)**
 - Periodically clean the lenses with a soft cloth, mild soap and water or Rosen Cleaner, Polisher and Protectant. Do not use abrasives on the lens.
 - Periodically adjust the pivot tensions on the visor assemblies.
 - Periodically clean slide with a no residue alcohol based cleaner and inspect for wear and damage.

Airworthiness Limitations

The Airworthiness Limitations Section is FAA approved and specifies maintenance required under §43.16 and §91.403 of the Federal Aviation Regulations unless an alternative program has been FAA approved.

There are no airworthiness limitations associated with this installation.

Rosen Sunvisor Systems PMM / IPC for Sunvisor Assembly
(p/n R1180003, R1180004)

Illustrations and IPC

R1180003

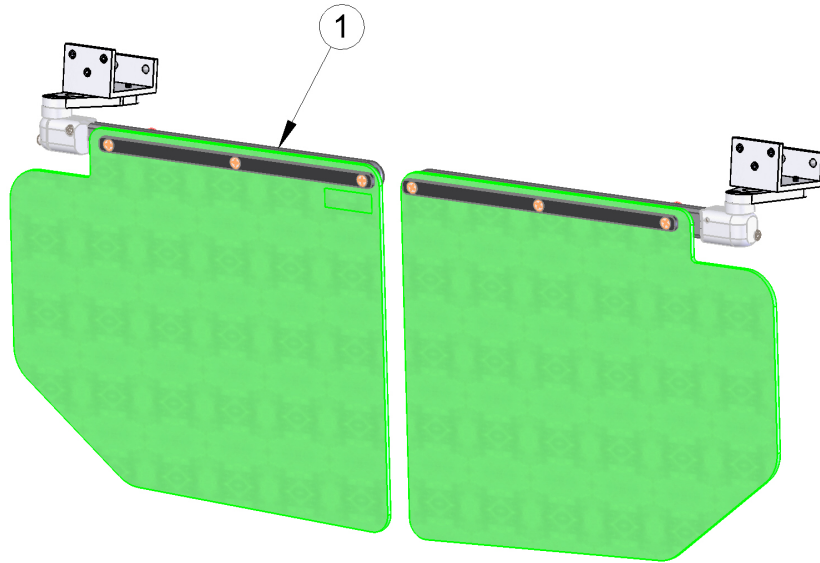


Fig 1

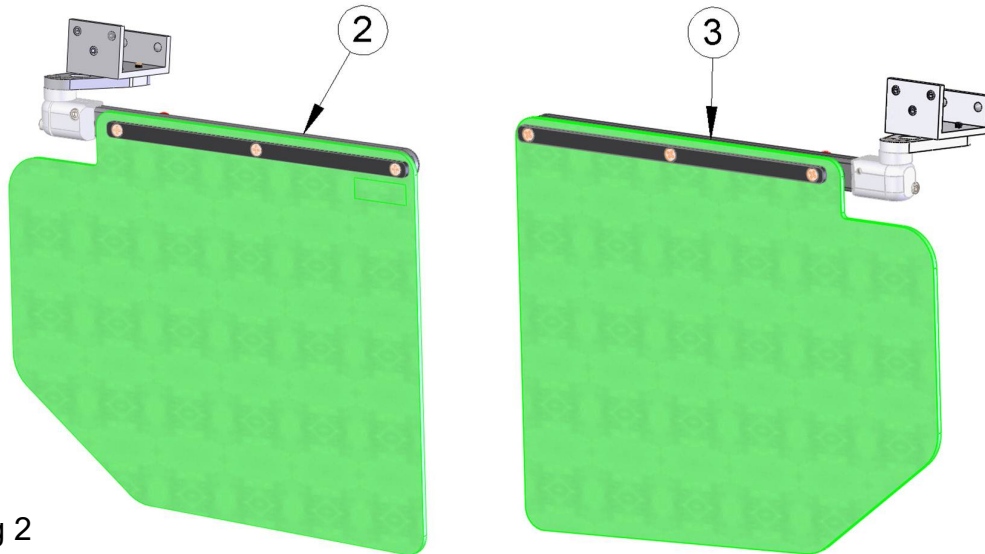


Fig 2

**Rosen Sunvisor Systems PMM / IPC for Sunvisor Assembly
(p/n R1180003, R1180004)**

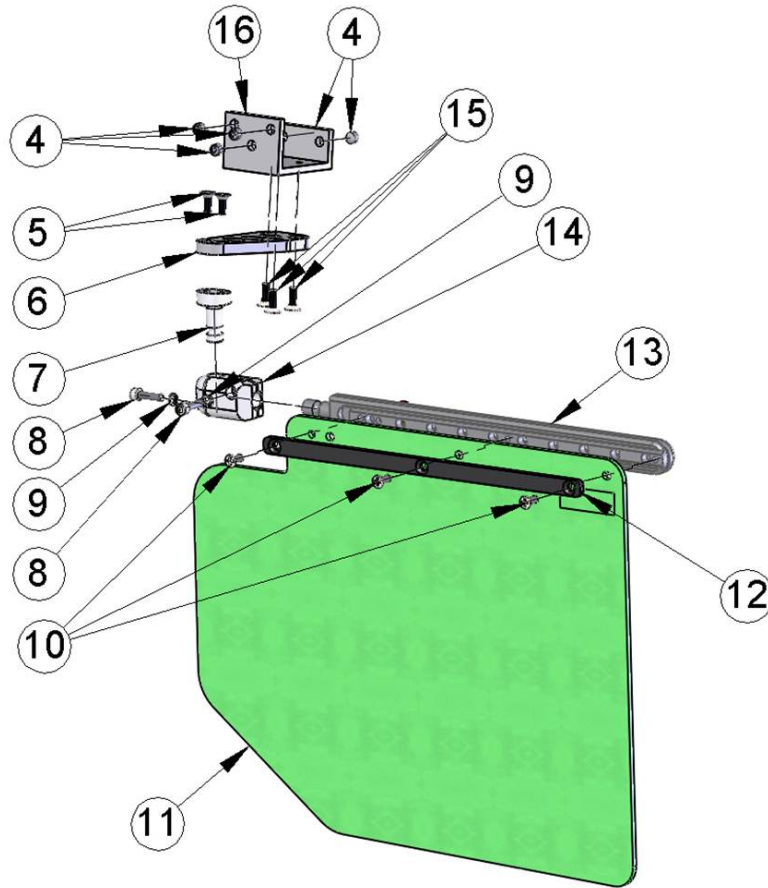


Fig 3

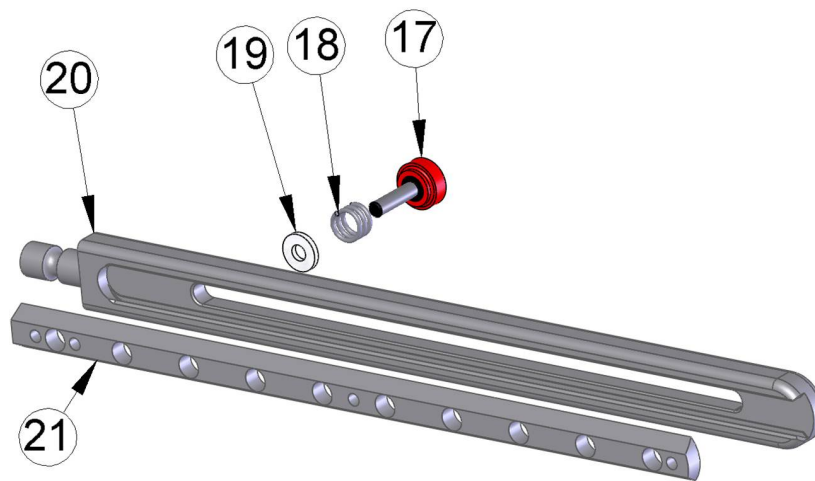


Fig 4

**Rosen Sunvisor Systems PMM / IPC for Sunvisor Assembly
(p/n R1180003, R1180004)**

R1180004

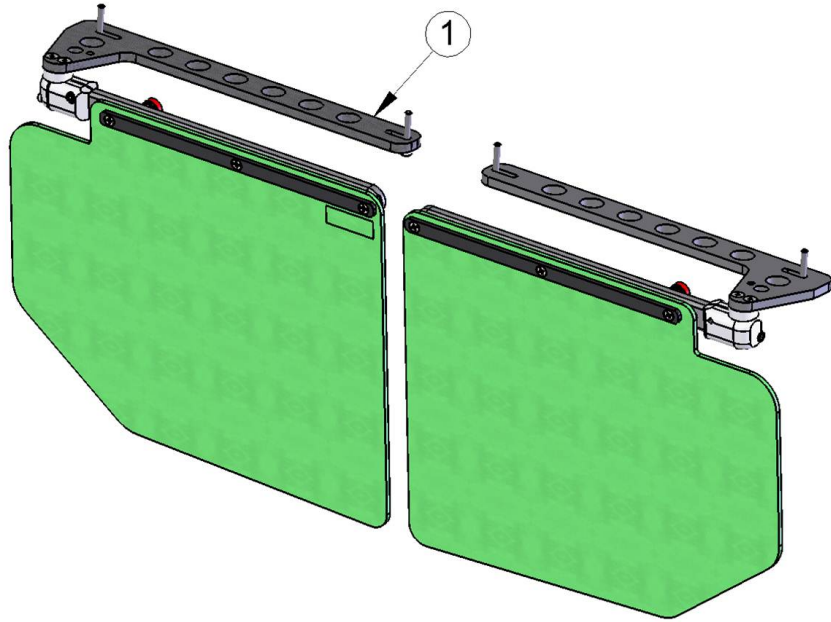


Fig 5

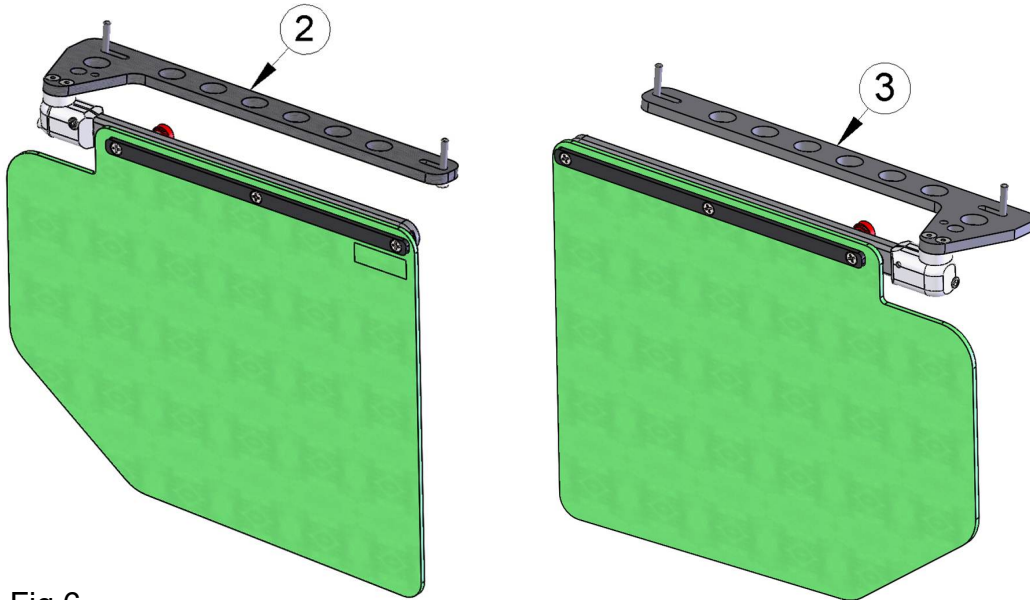


Fig 6

**Rosen Sunvisor Systems PMM / IPC for Sunvisor Assembly
(p/n R1180003, R1180004)**

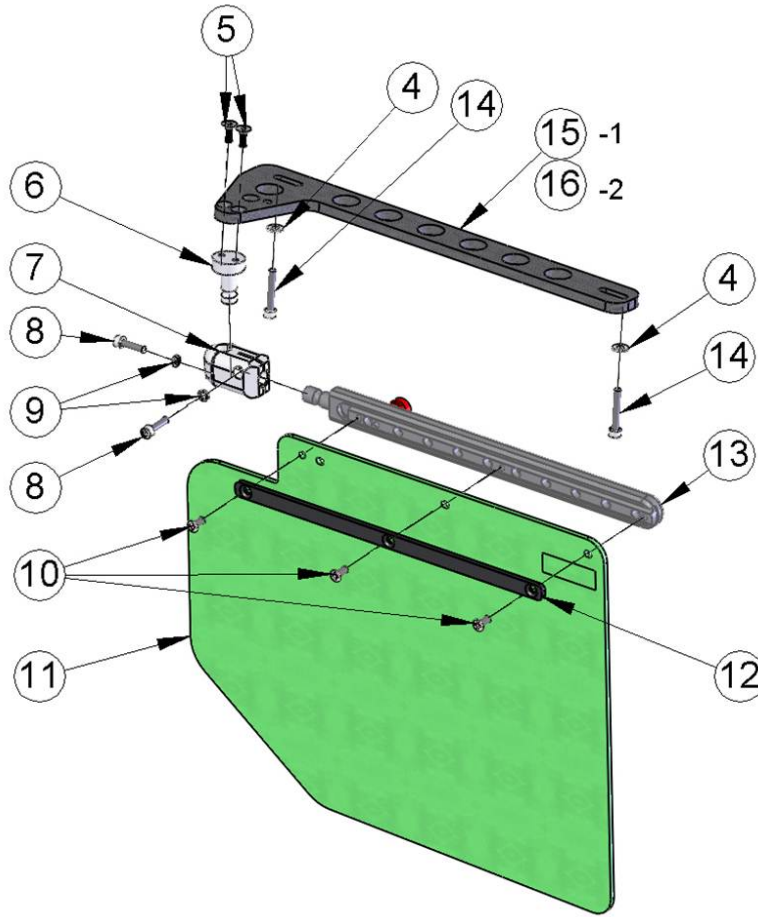


Fig 7

**Rosen Sunvisor Systems PMM / IPC for Sunvisor Assembly
(p/n R1180003, R1180004)**

Part List R1180003

Fig. No	Fig. Item	Part Number	Description	Reference	Eff	QTY
1	1	R1180003-0	Complete System	RCS-300-3, R1180000-003		System
2	2	R1180003-1	Pilot Side Assembly	RCS-300-3P, 1180400-005		1
2	3	R1180003-2	Copilot Side Assembly	RCS-300-3C, 1180400-006		1
3	4	1428X14CPSSA	¼ x 28 X .25 Socket Set Screw (Cone Point)			10
3	5	832X716FSHCS SBP	#8-32 X .4375 Flat Head Socket Screw 82 Black Patch			4
3	6	1180103	Bracket, Mounting			2
3	7	1180110	Cessna Swivel			2
3	8	MS16995-27B	#8-32 X .625 Hexagon Socket Head Cap Screw SST BLK			4
3	9	8HCLW	#8 High Collar Lock Washer			4
3	10	MS24693-C48BP	#8-32 X .375 Phillips Flathead Screw 100 Black Patch			6
3	11	1180301-001	Lens			2
3	12	1010003	Lens Strip			2
3	13	1010000-5	Complete Slide Assembly			2
3	14	1020001	Block Original			2
3	15	MS24671-14BP	#8-32 X .500 Flat Head Socket Screw (Black Patch)			6
3	16	1180104	Module Mounting Clamp			2
4	17	99-701	Ø1/2 Knurled Red Knob 8-32 x 7.5			2
4	18	B-19679	Compression Spring (Red Knob)			2
4	19	90295A110	Nylon Washer .06 x .405 OD-.175 ID			2
4	20	1010001-5	Female Slide-Universal			2
4	21	1010002-3	Male Slide-Universal			2
		832X14C9SSSS	#8-32 X .25 Cone Point Set Screw SS BLK			3

**Rosen Sunvisor Systems PMM / IPC for Sunvisor Assembly
(p/n R1180003, R1180004)**

Part List R1180004

Fig. No	Fig. Item	Part Number	Description	Reference	Eff	QTY
5	1	R1180004-0	Complete System	RCS-300-4		System
6	2	R1180004-1	Pilot Side Assembly	RCS-300-4P		1
6	3	R1180004-2	Copilot Side Assembly	RCS-300-4C		1
7	4	AN960-C8L	#8 Washer			4
7	5	832X716FSHCS SBP	#8-32 X .4375 Flat Head Socket Screw 82 Black Patch			4
7	6	1180110	Cessna Swivel			2
7	7	1020001	Block Original			2
7	8	MS16995-27B	#8-32 X .625 Hexagon Socket Head Cap Screw SST BLK			4
7	9	8HCLW	#8 High Collar Lock Washer			4
7	10	MS24693- C48BP	#8-32 X .375 Phillips Flathead Screw 100 Black Patch			6
7	11	1180301-001	Lens			2
7	12	1010003	Lens Strip			2
7	13	1010000-5	Complete Slide Assembly			2
7	14	MS16995-30B	#8-32 X 1.00 Socket Head Cap Screw			4
7	15	1180105-001	Mounting Bracket Pilot			1
7	16	1180105-002	Mounting Bracket Copilot			1
4	17	99-701	Ø1/2 Knurled Red Knob 8-32 x 7.5			2
4	18	B-19679	Compression Spring (Red Knob)			2
4	19	90295A110	Nylon Washer .06 x .405 OD- .175 ID			2
4	20	1010001-5	Female Slide-Universal			2
4	21	1010002-3	Male Slide-Universal			2
		PS8C16CPG02 NA	#8-32 X 1.00 Panhead Truss Screw			2
		A8K75	#8-32 Rivnut			2